

SMPS CUM BATTERY CHARGER 24V 6A

FEATURES

- Latest state-of-the-art current mode PWM controller and MOSFET based design.
- Power supply unit and electronic switch over unit are in the same housing.
- Designed for rechargeable battery module up to 12AH.
- Soft start circuit to limit the AC inrush current.
- 100% Full load burn-in test.



SPECIFICATIONS

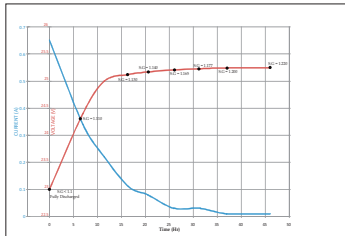
Input Characteristics	Input voltage	180-265VAC
	Frequency	45-60Hz
	Inrush current	<38A
	AC current consumption	1.1A @230VAC
	Indication	AC OK- Yellow LED
	Input protection	4A glass fuse (fast blow)
	Transient surge protection	Yes (varistor)
	Filter	EMI/RFI
	Buffer time	>20msec at full load
	Power factor	0.85 at 230VAC
Output Characteristics	Nominal voltage	24VDC
	Voltage adj. range	24-27VDC
	Nominal current	6A (including battery charging current)
	Battery charging current	Up to 1A
	Maximum output power	162W
	Line regulation	< +/- 0.5%
	Load regulation	< +/- 0.5%
	Ripple and noise	< +/- 1% P-P
	Low battery cut off	Yes, at 22VDC
	Indication	DC OK- Green LED, Low BAT- Orange LED
	Connection in parallel	Yes, with diode ORing
	Over load protection	Yes
Short circuit protection	Yes (short-term)	

SPECIFICATIONS

Environmental Characteristics	Ambient temperature (operation)	0°C - 60°C
	Ambient temperature (storage)	0°C - 75°C
	Relative humidity	95% at 25 °C, non condensation
	Cooling	Natural air convection
General Characteristics	Insulation voltage I/P-O/P	1.5KVAC
	Insulation voltage I/P-PE	2.0KVAC
	Insulation voltage O/P-PE	500VAC
	Installation position	Panel mounting
	Type of connection	Screw type connection (0.2 sq.mm-2.5 sq.mm)
	Weight	0.86 Kg
	Dimension (LXWXH)	147 X 79 X 59 mm

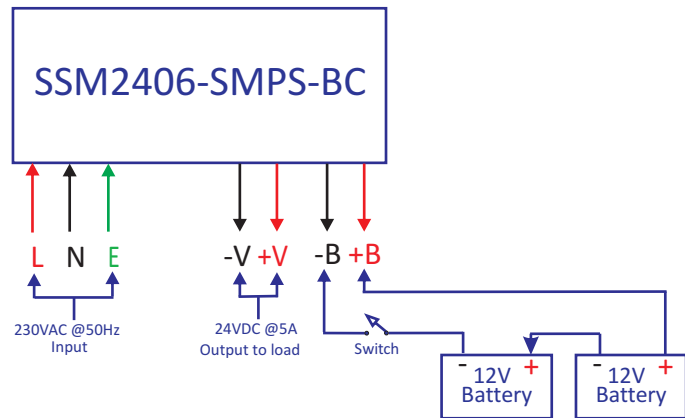
BATTERY CHARGING CHARACTERISTICS & CONNECTION DIAGRAM

Graph for SMPS cum Battery Charger 24V 06A



*Charging characteristic is subject to change according to battery capacity.
S. G :- Specific Gravity
Test Conditions :
Battery Manufactured by : Exide Industries Ltd.
Battery Model - 12XT7B-B (Lead Acid battery)(2 Batteries in Series)
Charger voltage set at 27VDC.
Room Temperature : 32 Deg.C.

Connection diagram



NOTE

- 1) Two 12V rechargeable battery module must be of same capacity.
- 2) Recommended to connect the battery module via a switch for remote shutdown.
- 3) All these parameters are specified at 230VAC@50Hz input voltage and ambient temperature +27°C.
- 4) For continuous improvement, specifications are subject to change without prior intimation.

