

FEATURES

- Latest state-of-the-art current mode PWM controller and MOSFET based design.
- Power supply unit and electronic switch over unit are in the same housing.
- Designed for rechargeable battery module up to 12AH.
- Soft start circuit to limit the AC inrush current.
- 100% Full load burn-in test.

SMPS CUM BATTERY CHARGER 12V 5A



SPECIFICATIONS

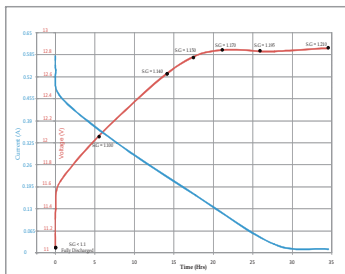
Input Characteristics	Input voltage	150-300VAC
	Frequency	45-60Hz
	Inrush current	<38A
	AC current consumption	0.5A @230VAC
	Indication	AC OK- Yellow LED
	Input protection	4A glass fuse (fast blow)
	Transient surge protection	Yes (varistor)
	Filter	EMI/RFI
	Buffer time	>20msec at full load
	Power factor	0.85 at 230VAC
Output Characteristics	Nominal voltage	12VDC
	Voltage adj. range	12-15VDC
	Nominal current	5A (including battery charging current)
	Battery charging current	Up to 1A
	Maximum output power	75W
	Line regulation	< +/- 0.5%
	Load regulation	< +/- 0.5%
	Ripple and noise	< +/- 1% P-P
	Low battery cut off	Yes, at 11VDC
	Indications	DC OK- Green LED, Low BAT- Red LED
	Connection in parallel	Yes, with diode ORing
	Over load protection	Yes
	Short circuit protection	Yes (short-term)

SPECIFICATIONS

Environmental Characteristics	Ambient temperature (operation)	0°C - 60°C
	Ambient temperature (storage)	0°C - 75°C
	Relative humidity	95% at 25 °C, no condensation
	Cooling	Natural air convection
General Characteristics	Insulation voltage I/P-O/P	1.5KVAC
	Insulation voltage I/P-PE	2.0KVAC
	Insulation voltage O/P-PE	500VAC
	Installation position	Panel mounting
	Type of connection	Screw type connection (0.2 sq.mm-2.5 sq.mm)
	Weight	0.55 Kg
Dimension (LXWXH)	127 X 79 X 59 mm	

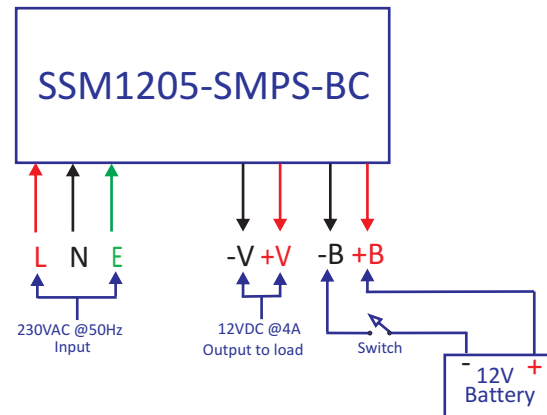
BATTERY CHARGING CHARACTERISTICS & CONNECTION DIAGRAM

Graph for SMPS cum Battery Charger 12V 05A



*Charging characteristic is subject to change according to battery capacity.
S.C. = Specific Gravity
Test Conditions
Battery Manufactured by: Dabhi Industries Ltd.
Battery Model: 12V7.8 & (Lead Acid battery)
Charger voltage set at 14.5VDC.
Room Temperature: 28 Deg.C

Connection diagram



NOTE

- 1) Recommended to connect the battery module via a switch for remote shutdown.
- 2) All these parameters are specified at 230VAC@50Hz input voltage and ambient temperature +27°C.
- 3) For continuous improvement, specifications are subject to change without prior intimation.