

LBD8252/10 6W Compact Ceiling Loudspeaker

www.boschsecurity.com



BOSCH
Invented for life



- ▶ Suitable for speech and music reproduction.
- ▶ Flush-mounting in ceiling cavity.
- ▶ Easy to install.
- ▶ Simple power setting.
- ▶ Unobtrusive in virtually all interiors.

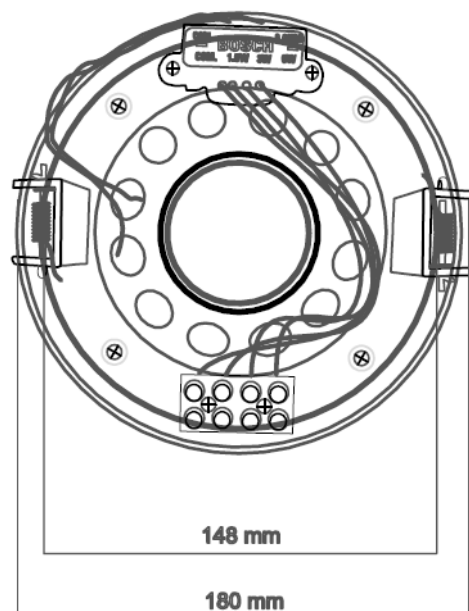
The LBD8252/10 is an economic flush-mounting ceiling loudspeaker for general purpose applications. It is a full range loudspeaker for speech and music reproduction in shops, department stores, schools, offices, sports halls, hotels and restaurants.

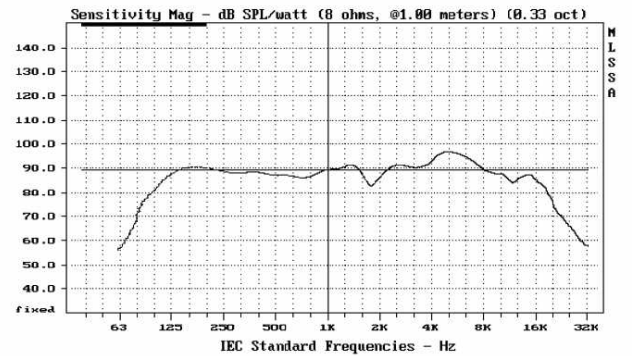
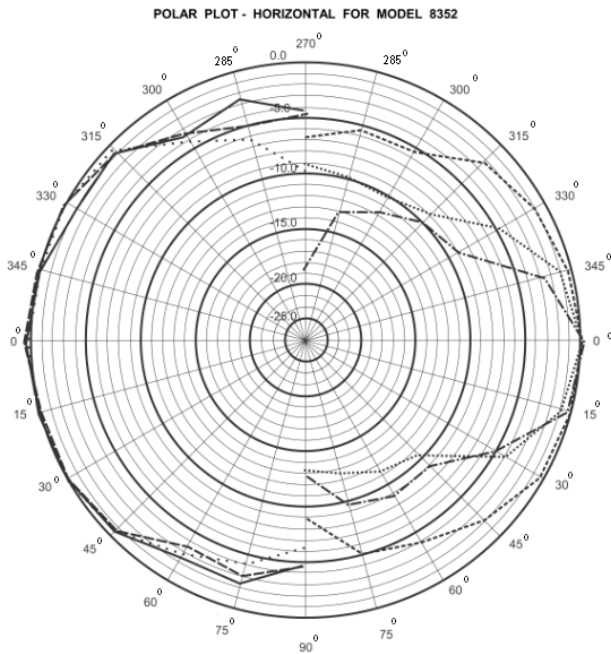
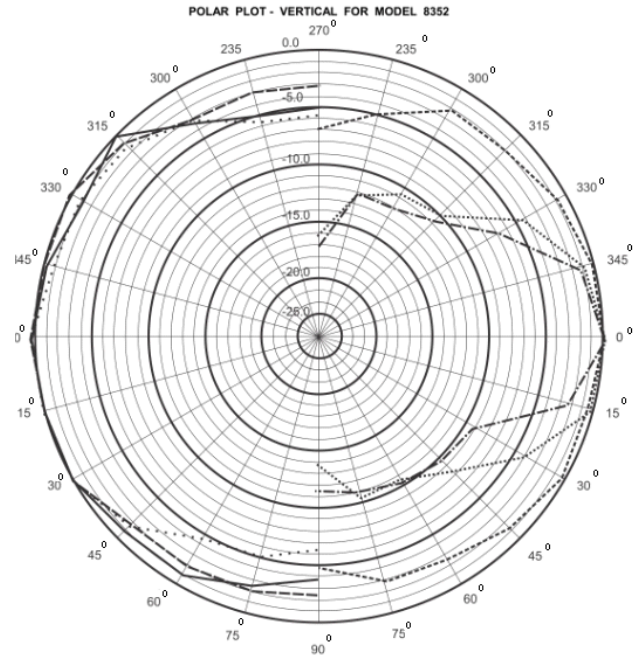
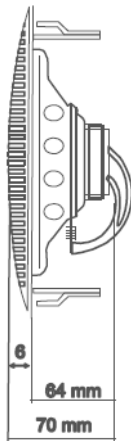
System overview

The LBD8252/10 has a single-piece, 6 W loudspeaker. A 100 V matching transformer is mounted behind the front panel assembly. The moulded plastic front panel is mounted onto the loudspeaker's metal frame, and a dust cover protects the rear. The appearance and colour are unobtrusive in any interior.

Installation

Installation is both quick and easy, as the units have two built-in spring-loaded locking clamps that secure them into holes in the ceiling.





Acoustical performance Specified per Octave

	250 Hz	500 Hz	1000 Hz	2000 Hz	4000 Hz	8000 Hz
SPL1.1	88.3	86.1	88.5	86	93.4	89.4
SPL Max	97.3	95.1	97.5	95	102.4	98.4
Q Factor	5.6	4.0	2.2	3.2	10.8	19.0
Efficiency (in %)	0.4	0.3	0.5	0.3	1.4	0.6
H. Angle	160	180	180	160	70	55
V. Angle	170	180	180	170	65	45

Parts included

Quantity	Components
1	LBD8352/10 Ceiling Loudspeaker

Technical specifications

Electrical

Maximum Power	8W
Rated Power	6W
Sound Pressure level at 6 W / 1 W (1 KHz at 1m)	97.5 dB / 88.5 dB (SPL)
Effective frequency range (-10 dB)	125 Hz - 16 KHz
Opening Angle at 1 KHz / 4 KHz (-6 dB)	180° / 70°
Rated Voltage	100 V
Rated impedance	1667 ohm

Mechanics

Diameter	180 mm
Maximum depth	70 mm
Weight	600 g

Environmental

Operating temperature	-25 °C to +55 °C
Storage temperature	-40 °C to +70 °C

Ordering information

LBD8252/10 6W Compact Ceiling Loudspeaker
Order number **LBD8352/10**

Represented by:

Americas:

Bosch Security Systems, Inc.
130 Perinton Parkway
Fairport, New York, 14450, USA
Phone: +1 800 289 0096
Fax: +1 585 223 9180
security.sales@us.bosch.com
www.boschsecurity.us

Europe, Middle East, Africa:

Bosch Security Systems B.V.
P.O. Box 80002
5617 BA Eindhoven, The Netherlands
Phone: + 31 40 2577 284
Fax: +31 40 2577 330
emea.securitysystems@bosch.com
www.boschsecurity.com

Asia-Pacific:

Robert Bosch (SEA) Pte Ltd, Security Systems
11 Bishan Street 21
Singapore 573943
Phone: +65 6571 2808
Fax: +65 6571 2699
apr.securitysystems@bosch.com
www.boschsecurity.asia

China:

Bosch (Shanghai) Security Systems Ltd.
201 Building, No. 333 Fuquan Road
North IBP
Changning District, Shanghai
200335 China
Phone +86 21 22181111
Fax: +86 21 22182398
www.boschsecurity.com.cn

America Latina:

Robert Bosch Ltda Security Systems Division
Via Anhanguera, Km 98
CEP 13065-900
Campinas, Sao Paulo, Brazil
Phone: +55 19 2103 2860
Fax: +55 19 2103 2862
al.securitysystems@bosch.com
www.boschsecurity.com